

# BDM<sup>®</sup>-WVGA

## FEATURES

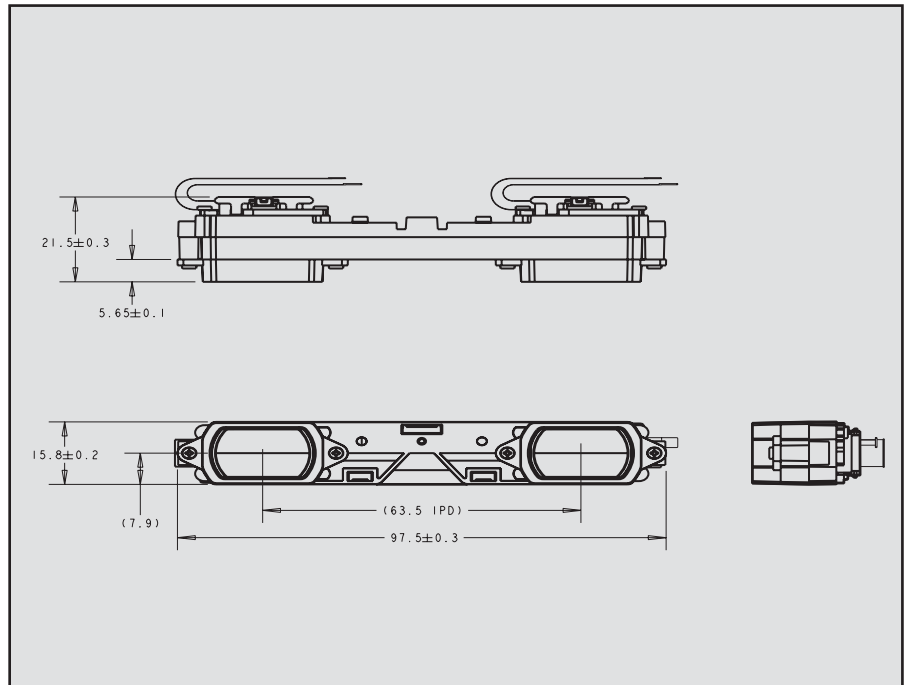
- Fully integrated with Kopin CyberDisplay<sup>®</sup> WVGA LVD color displays, backlights and lenses
- WVGA resolution (854x480)
- Large image size (42" diagonal at 6 1/2 foot distance)
- High-quality optics
  - 30 degree field of view
  - 18 mm eye relief
  - 6 mm exit pupil
- 63.5 mm interpupillary distance (IPD)
- Compact size (95.9 mm x 15.8 mm x 21.8 mm)
- Lightweight (16 g)



Speed up your eyewear development with Kopin's BDM-WVGA, which delivers a large (42" diagonal at 6 1/2 foot distance), crisp image for mobile video. This light-weight, compact module is ready to incorporate into your own eyewear design with minimal effort. The module integrates two CyberDisplay WVGA LVD color filter displays, LED backlights and a pair of pre-aligned high-quality lenses.

The BDM-WVGA can be driven by the A912 or A913 controller IC.

### MECHANICAL OUTLINE



Display Marketing  
 Tel: 508-870-5959 Fax: 508-870-0660  
 cyberdisplay@kopin.com

Hong Kong  
 Tel: 852-2607-4151 Fax: 852-2607-4156

Japan  
 Tel: 81-3-5352-3549 Fax: 81-3-5322-2929

cyberdisplay@kopin.com

\*Specifications subject to change without notice



*The BDM-WVGA  
is compact, lightweight  
and ready to incorporate  
into your own eyewear  
design with minimal  
effort.*

# BDM-WVGA

## SPECIFICATIONS

### MECHANICAL

Dimensions	95.9 mm (W) x 15.8 mm (H) x 21.8 mm (D)
Weight	16 g

### CYBERDISPLAY WVGA

Resolution	854 x 480
Diagonal Size	0.32"
Active Area	7.174 mm x 4.032 mm
Color Configuration	Vertical Stripe

### OPTICAL

Field of View	30 degrees diagonal
Virtual Image Size	42" diagonal at 6 1/2 ft distance
Eye Relief	18 mm
Exit Pupil Diameter	6 mm
Interpupillary Distance	63.5 mm

### ENVIRONMENTAL

Storage Temperature	-20 to 60 C
Operating Temperature	0 to 50 C
Humidity	40C at 80% relative humidity, 240 hours
Shock	2 foot drop to concrete
Vibration	20 Hz to 2000 Hz, 6 G's RMS, Max 3 axes