

# White Pearl™ Display Module



## MODULE FEATURES

### Image

Resolution: 428 x 240 (WQVGA)  
 Contrast Ratio > 100 : 1  
 FOV: 14.5 degrees diagonal

### Optics

Eye Relief: 22.5mm  
 Eye Box: 8 x 5 mm  
 Distortion: < 0.5%

### Brightness

1000 nits @ 10 mA to Backlight  
 1800 nits @ 20 mA to Backlight

### Mechanical

Dimension: 28.3 x 12.9 x 8 mm  
 Weight: 1.9g

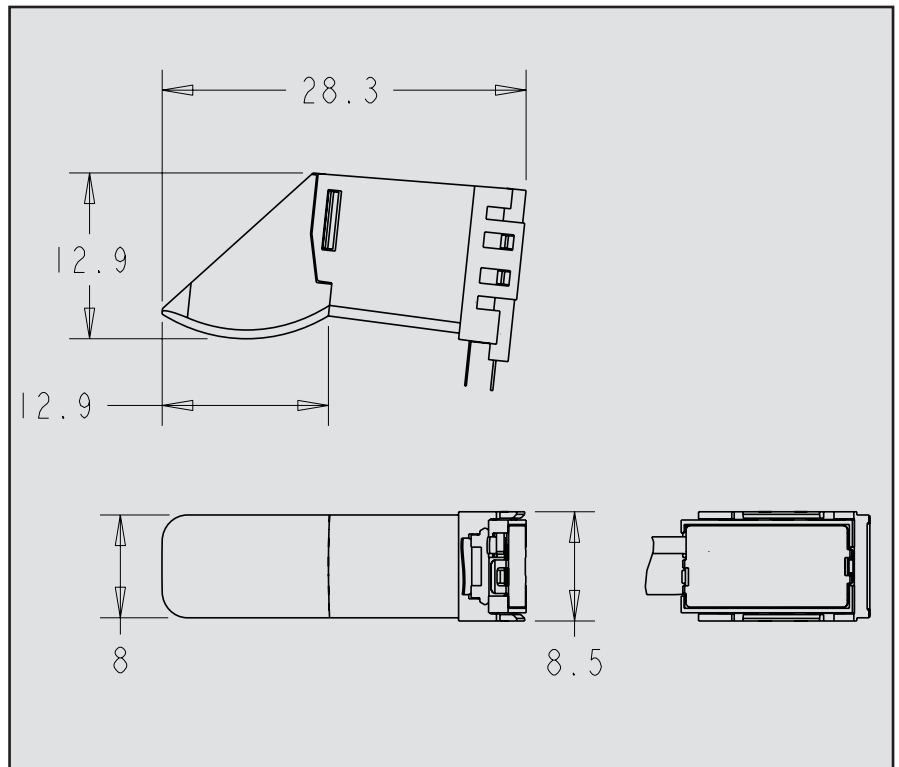
### Drive Electronics

A230 Low-Power ASIC  
 with Frame Buffer Memory

### Power Consumption

(Display + BL + ASIC)  
 <100 mW at 1000 nits  
 <150 mW at 2000 nits

MECHANICAL DRAWING



\*Specifications subject to change without notice

Display Marketing  
 Tel: 508-870-5959 Fax: 508-870-0660

Hong Kong  
 Tel: 852-2607-4151 Fax: 852-2607-4156

Japan  
 Tel: 81-3-5352-3549 Fax: 81-3-5322-2929

cyberdisplay@kopin.com